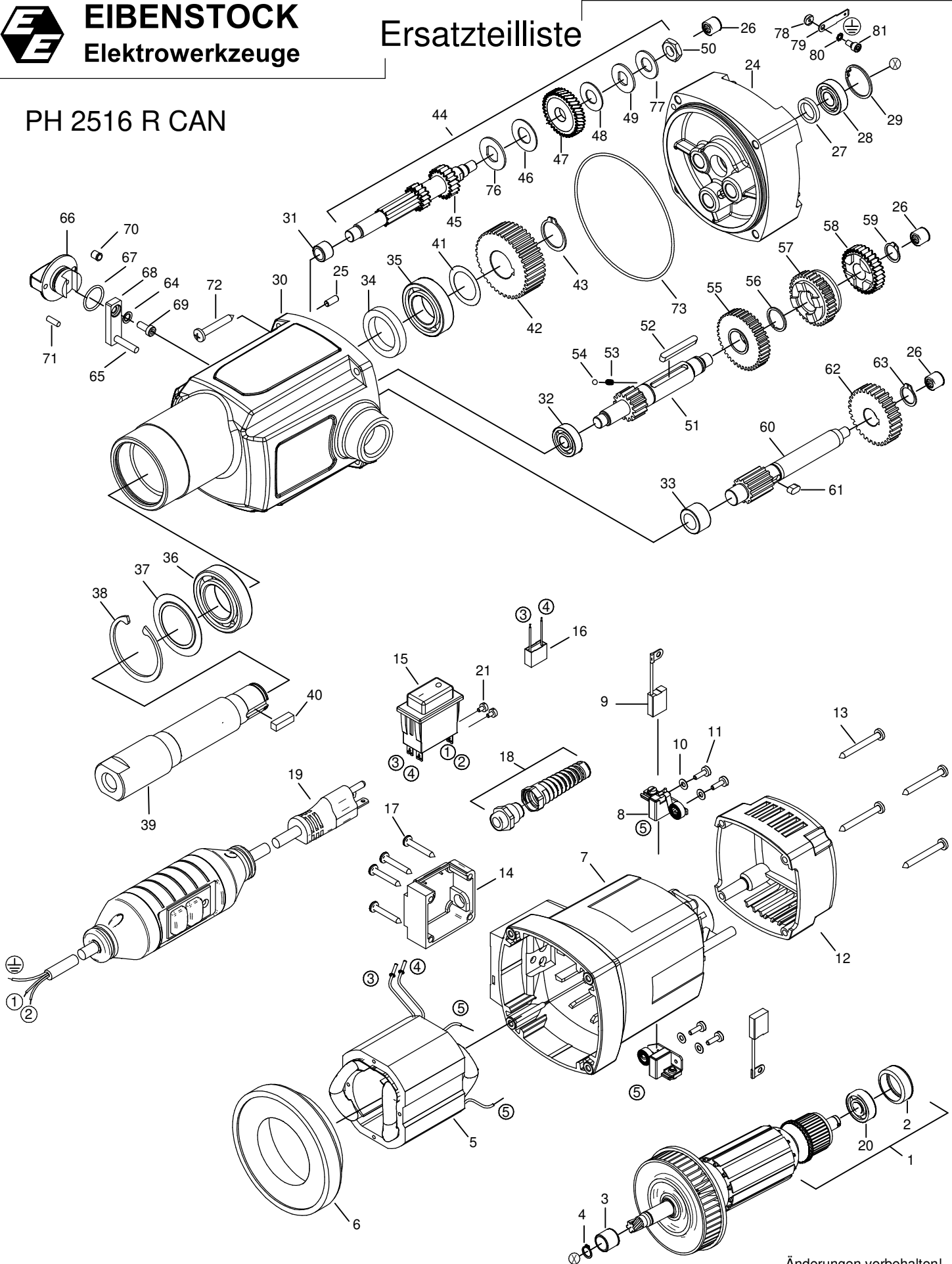




Ersatzteilliste

PH 2516 R CAN





07647000

PH 2516 R CAN - 120 V

Version:

01

Dated: 04.05.2022

Pos.	Description	Item No.	pc.
1	Rotor, compl. 110V	77641100	1
2	Bearing cap	83000031	1
3	Sealing bush 12x15x12,5	80420160	1
4	Retaining ring 12x1	80201321	1
5	Stator, compl. 110V	77641150	1
6	Air guiding ring	73511141	1
7	Motor housing	73511200	1
8	Brush holder, compl.	80201199	2
9	Carbon brush 6,3x16x20	80700040	2
10	Spring washer 4	80201385	4
11	Screw M4x12	80201180	4
12	Cap	80900082	1
13	Screw 4,8x45	80201267	4
14	Switch box	73511630	1
15	Switch	80600119	1
16	Capacitor	80500010	1
17	Screw 5,5x38	80201292	4
18	Cable gland M20x1,5	80600179	1
19	Connecting cable PRCD, 3x12AWG, 0,9m	77643262	1
20	Grooved ball bearing 6000 2Z	80410021	1
21	Screw M3,5x5	80201217	2
24	End shield of gearing	77647610	1
25	Grooved pin 5x16	80200580	1
26	Needle sleeve HK0810	80420110	3
27	Shaft seal 15x21x3	83000179	1
28	Grooved ball bearing 6201 LUZ	80410101	1
29	Retaining ring 32x1,2	80201351	1
30	Gearbox housing	77644400	1
31	Needle sleeve HK1010	80420115	1
32	Grooved ball bearing 6000	80410020	1
33	Needle bearing RNA 4900	80420001	1
34	Shaft seal 30x42x7	83000071	1
35	Grooved ball bearing 6005 2RS	80410061	1
36	Grooved ball bearing 6006 2RS	80410071	1
37	Disc	71540426	1
38	Retaining ring 55x2	80201338	1
39	Work spindle	7752G420	1
40	Parallel key 6x6x20	80200606	1
41	Shim ring 25x35x0,1	80200512	1
42	Spindle wheel	71531430	1

Pos.	Description	Item No.	pc.
43	Retaining ring 24x1,2	80201326	1
44	Clutch compl.	77644493	1
45	Intermediate shaft 1	71531490	1
46	Brass washer 28,5x14,2x1	85000082	1
47	Clutch wheel	77644560	1
48	Bronze disc 25x12,1x1	85000083	1
49	Driving washer	73116496	1
50	Nut M10x1	80201007	1
51	Intermediate shaft 2	71531500	1
52	Parallel key 5x5x40	80200612	1
53	Pressure spring	80200698	1
54	Ball	80410082	1
55	Loose wheel 1	71531460	1
56	Circlip SW18	80200746	1
57	Shifting gear	71531550	1
58	Loose wheel 2	71531470	1
59	Retaining ring 14x1	80201318	1
60	Intermediate shaft 3	71531510	1
61	Parallel key 5x5x10	80200600	1
62	Intermediate wheel	71531480	1
63	Retaining ring 15x1	80201322	1
64	Lock washer S6	80201362	1
65	Parallel pin 5x30	80200627	1
66	Switch button	73521540	1
67	O-ring 18,77x1,75	83000081	1
68	Gear lever	71531542	1
69	Screw M5x12	80201230	1
70	Spring loaded thrust piece	85000157	1
71	Parallel pin 4x12	80200578	1
72	Screw 5,5x70	80201298	4
73	O-ring 106x2	83000092	1
76	Driving washer	73331496	1
77	Disc spring 25x12,2x1,5	80200724	1
78	Locking nut M4	73631188	1
79	Ground connector	80601189	1
80	Tooth lock washer 4,3	80200752	1
81	Screw M4x8	80201451	1